



**EINNOVA**  
SOLARLINE

*All-in-one Solution*

# All-in-one Solution

## 800W PV System

### Balcony photovoltaic system

The balcony photovoltaic system is a small PV power generation system specially designed for family balconies. It is composed of components such as PV panels, inverters, and mounting brackets. It converts solar energy into electrical energy and provides clean & renewable power for families. It has characteristics such as easy installation, high-efficiency power generation, safety and reliability, and intelligent management. It is especially suitable for families who hope to reduce energy costs and pursue an environmentally friendly lifestyle.



800W Microinverter

150W×6PV Panels



Eco-Friendly



High Efficiency



MH



APP Control



## Introducing Apex Solar Power System



Easy to install:  
70% lighter



Control Power with the  
Smart Life App



10 Year  
Guarantee



IP67  
Protection class



No  
Installation request required



## 23% high solar conversion rate

Our advanced, flexible solar panels with a conversion efficiency of 23% generate an average of 3 kWh/day. They offer a simple, stylish solution for the efficient production of green energy.



## What's In The Box



6x150W Solar Panel



800W Micro Inverter



36 cable ties



Installation Manual



5m AC extension cable and Connector



AC junction box



4x4.3m DC+/-pole extension cable



## Flexible Solar Panel

### 150W

#### Electrical Performance Parameter(STC)

Parameter Name	ESM-150W F
Maximum Power(Pmax)	150W
Power Tolerance	0~+5W
Maximum Power Voltage(Vmp)	50.16V
Maximum Power Current(Imp)	3A
Open-circuit Voltage(Voc)	58.96V
Short-circuit Current(Isc)	3.58A
Module Efficiency(%)	21%
STC:Irradiance 1000W/m2, module temperature 25°C, AM=1.5	
Cell array	22*4
Product size	1095mm*806mm*3.5mm
Front film	Lightweight, high transparent polymer materials
Cable length	(+) (-) 300mm
Backsheet	Black PV Backsheet
Protection	IP67
Cable size	1x 2.0mm <sup>2</sup>
Diode	2
Weight	6kgs
Temperature coefficient	
Cell nominal operating temperature	41±2°C
Current temperature coefficient	+0.020%/°C
Voltage temperature coefficient	-0.28%/°C
Power coefficient	-0.38%/°C
Working conditions	
Maximum System Voltage	600VDC
Maximum Series Fuse Rating	20A
Operating Temperature	-40~+85°C
Connector	MC4 compatible

## Micro Inverter

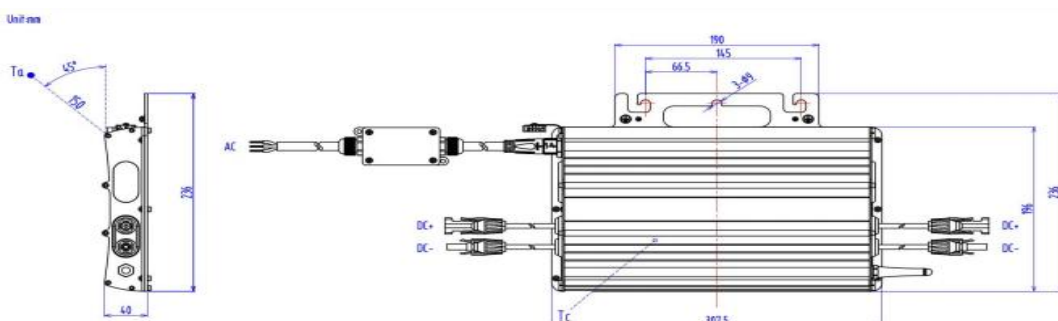


Model		BDN600-L	BDN800-L	BDN1000-L	BDN1100-L
Input Data (DC)	Commonly used module power(W)	600	800	1000	1100
	Peak power MPPT voltage range(V)	30-48			
	Start-up voltage range(V)	25			
	Operating voltage range (V)	25-60			
	Maximum input voltage(V)	60			
	Maximum input current(A)	13.0x2	13.0x2	13.0x2	13.0x2
	Isc PV	16.25x2	16.25x2	16.25x2	16.25x2
Output Data (AC)	Max. apparent power SEmax(VA)	600	800	1000	1100
	Rated output power (VA)	550	700	900	1000
	Rated output current (A)	2.4	3.0	3.9	4.3
	Nominal output voltage (V)	230V/210-250Vac			
	Nominal frequency /range(Hz)	47.5-51.5			
	Power factor (Default/Adjustable)	>0.99/0.95leading...0.95lagging			
	Total harmonic distortion	<5%			
Efficiency	Maximum units per branch <sup>2</sup>	8			
	CEC peak efficiency	95.20%			
	CEC weighted efficiency	94.00%			
	Nominal MPPT efficiency	99.50%			
Nighttime power consumption	<80mW				

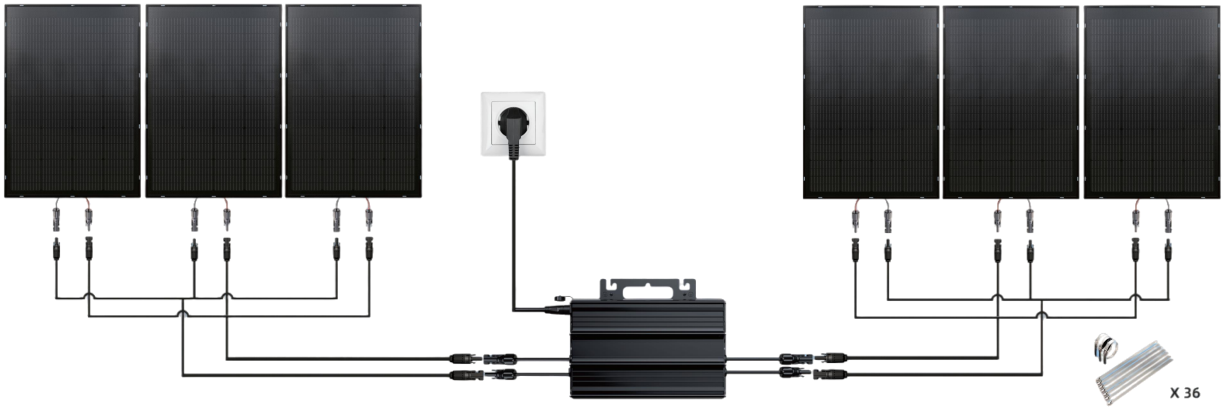


Equipment Protection	DC Polarity Reverse Connection Protection	Yes (Within 10min)
	AC Output Over current Protection	Yes
	AC Output Over voltage Protection	Yes
	AC Output Short Circuit Protection	Yes
	Thermal Protection	Yes
	Power Network Monitoring	Yes
	Over voltage Load Drop Protection	Yes
	Surge Protection Level	TYPE II(DC),TYPE II(AC)
Mechanical Data	Ambient temperature range (°C)	-40~+65°C,Tc>80°C derating
	Permissible Ambient Humidity	0-100%
	Permissible Altitude	≤2000m
	Noise	≤ 25 dB
	Inverter Topology	Isolated
	Withstand voltage	Input-Output:1.5KVac;Input/Output-PE:0.5KVac
	Over Voltage Category	OVC II(DC),OVC III(AC)
	Dimensions (W × H × D)	307.5*236*40 mm
	Weight (KG)	4.2
	Warranty [year]	Standard 10 years,extended warranty
	Enclosure rating	Outdoor-NEMA (IP67)
	Cooling	Natural convection-No fans
	Communication (Inverter To ECU)	WiFi
DC Connector Type	MC4	
AC Connector Type	AC3P Connector II or three - core wire	
Compliance	Safety, EMC & Grid Compliance	EN 62109-1; EN 62109-2; EN 61000-6-1; EN61000-6-3;UNE217002,UNE206007-1,RD647,RD1699,R D413;CEI 0-21; VDE0126-1-1,VFR2019,UTEC15-712-1,ERDF-NOI-RES_13E; EN50549-1; VDE-AR-N 4105

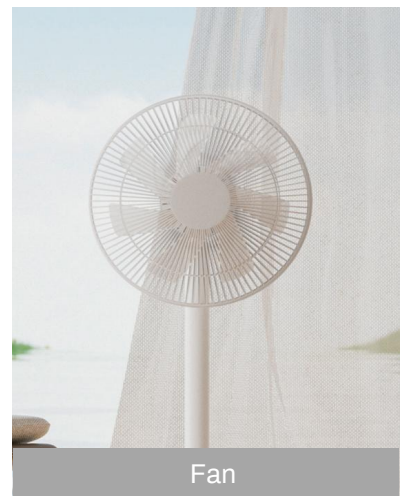
## Mechanical size



# Plug & Plug



## Application Scenarios



## Certificates



# Einnova Solarline - to be Your Trusted Partner!

## Thank you.



Block C, 27th Floor, Deji Mansion, No.188  
Changjiang Road, Nanjing, China



+86 1381 3088 384  
+86 25 8479 2033



emma.wu@einnova-solarline.com  
www.einnova-solarline.com